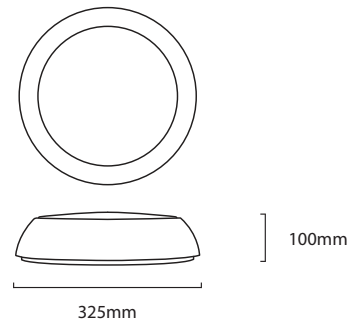
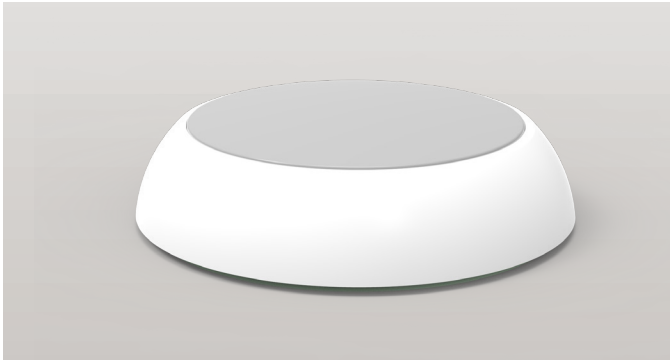


20W LED OYSTER  
CODE: SOYSTER



TECHNICAL SPECIFICATIONS

<b>Product Code</b>	SOYSTER	SOYSTERS (with Microwave Sensor)
<b>Description</b>	20w LED Oyster	
<b>Mounting</b>	Surface Mounted	
<b>Dimension L x W x H</b>	325mm x 100mm	
<b>Construction</b>	Polycarbonate Body	
<b>Operating Voltage</b>	220-260Vac; 50Hz	
<b>Power Factor</b>	>0.90	
<b>Power Consumption</b>	20W on 240V	
<b>IP Rating</b>	IP54	
<b>Operating Temperature</b>	1° - 45° C	
<b>LED</b>	102 x LEDs	
<b>Dimmable</b>	No	
<b>Lumens Output</b>	2200lm	
<b>Colour Temperature</b>	4000K	
<b>PC Cover</b>	Opal	
<b>Beam Angle</b>	110 Degrees	