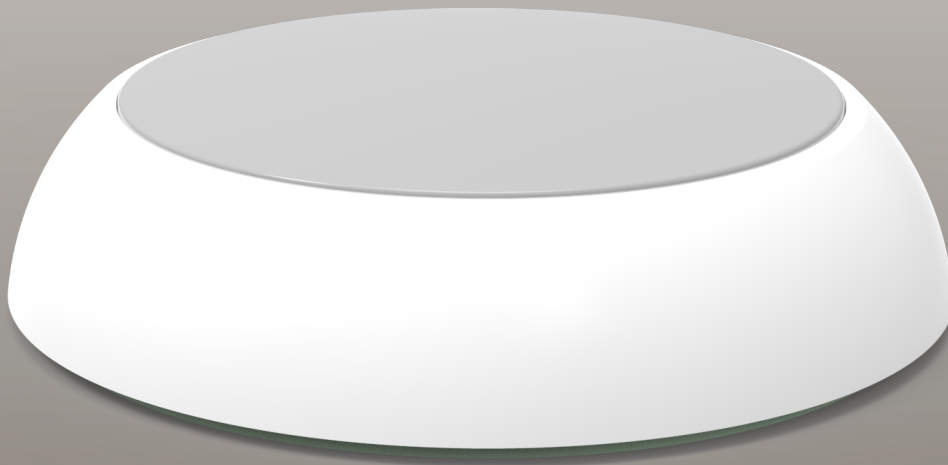




SOYSTER

20w LED Oyster

PRODUCT CODE: SOYSTER



FEATURES

- Suitable for stairwells and apartments
- Optional built-in microwave sensor
- Flex and plug optional



Easy installation
with large terminal
block

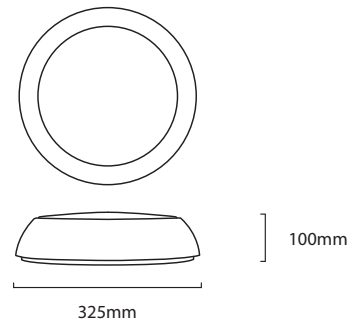
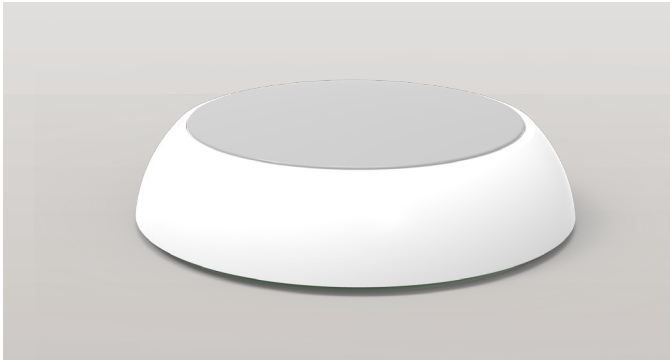


Fully compliant
with AS/NZ
CISPR 15 : 2011



High Light
Output with
Low-Glare

20W LED OYSTER
CODE: SOYSTER



TECHNICAL SPECIFICATIONS

Product Code	SOYSTER	SOYSTERS (with Microwave Sensor)
Description	20w LED Oyster	
Mounting	Surface Mounted	
Dimension L x W x H	325mm x 100mm	
Construction	Polycarbonate Body	
Operating Voltage	220-260Vac; 50Hz	
Power Factor	>0.90	
Power Consumption	20W on 240V	
IP Rating	IP54	
Operating Temperature	1° - 45° C	
LED	102 x LEDs	
Dimmable	No	
Lumens Output	2200lm	
Colour Temperature	4000K	
PC Cover	Opal	
Beam Angle	110 Degrees	