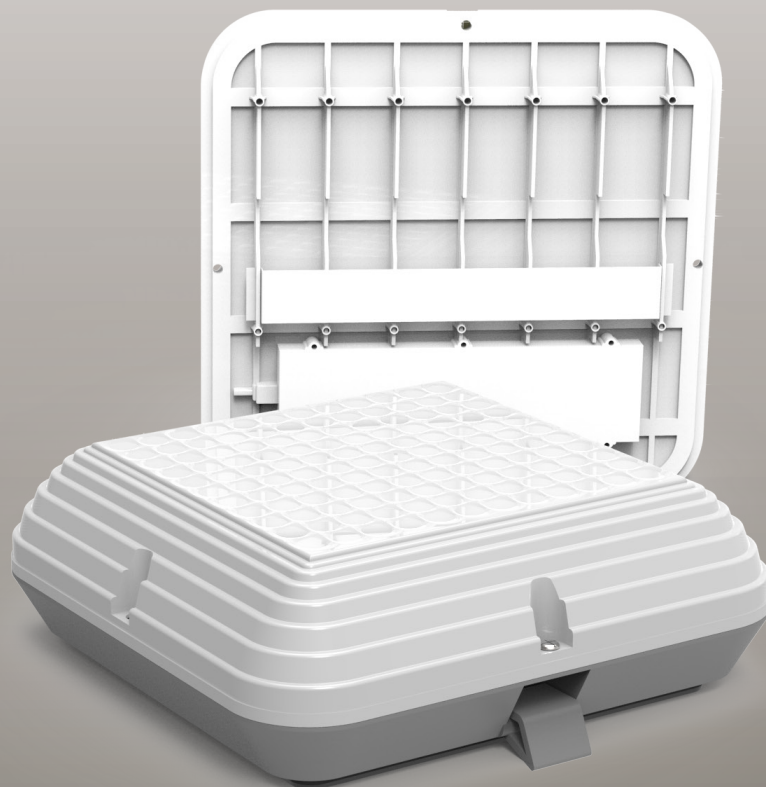




SBUNKERWP

20w LED Weatherproof Bunker
PRODUCT CODE: SBUNKERWP



FEATURES

- Sturdy weatherproof bunker fitting
- Suitable for harsh environments
- Optional built-in microwave sensor
- Optional flex and plug



Easy installation with
large terminal block

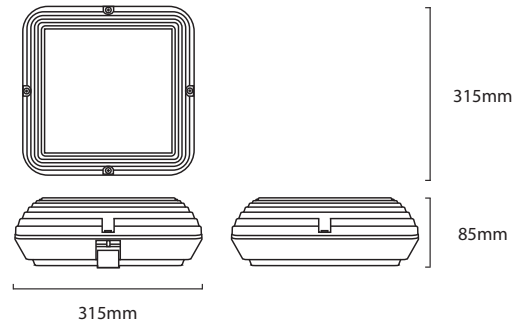


Fully compliant
with AS/NZ CISPR
15:2011



High light output
with low-glare
distribution

20W LED WEATHERPROOF BUNKER
CODE: SBUNKERWP



TECHNICAL SPECIFICATIONS

Product Code	SBUNKERWP	SBUNKERWPS (with Microwave Sensor)
Description	20w LED Weatherproof Bunker	
Mounting	Wall or Ceiling Surface Mounted	
Dimension L x W x H	315mm x 315mm x 85mm	
Construction	Die-Cast Aluminium Body and Polycarbonate Diffuser	
Operating Voltage	220-260Vac; 50Hz	
Power Factor	>0.95	
Power Consumption	20W on 240V	
IP Rating	IP 65	
Operating Temperature	0° - 45° C	
LED	102 x LEDs	
Dimmable	No	
Lumens Output	2200lm	
Colour Temperature	4000K	
PC Cover	Milky	
Beam Angle	140 Degrees	