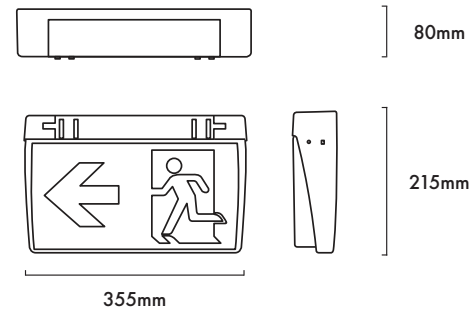


3W LED ALL-IN-ONE EASY EXIT  
CODE: EXLED



TECHNICAL SPECIFICATIONS

<b>Product Code</b>	EXLED
<b>Description</b>	3W LED All-in-One Easy Exit with Double-Sided Decal
<b>Construction</b>	ABS Body and Diffuser Polycarbonate Clear Temper Proof Cover
<b>Mounting</b>	Wall or Ceiling Surface Mount
<b>Dimension L x W x H</b>	355mm x 80mm x 215mm
<b>Operating Mode</b>	Maintained
<b>Testing System</b>	Manual Test Switch
<b>Charging Time</b>	16 Hours
<b>Viewing Distance</b>	24 Metres
<b>Lens</b>	10 x LED Lamp 50,000 Hours
<b>Operating Voltage</b>	220-260Vac; 50Hz
<b>Power Factor</b>	>0.95
<b>Power Consumption</b>	3W
<b>IP Rating</b>	IP 20
<b>Operating Temperature</b>	1° - 45 °C
<b>Battery</b>	High Temperature NiCd
<b>Weight</b>	Approximately 1.2Kg
<b>Performance</b>	AS/NZ 2293-2005
<b>Classification</b>	C0 E2 C90 E2

REPLACEMENT PARTS

PART NUMBER	DESCRIPTION
<b>BLED</b>	Battery, NiCd, 4.8V 800mAh

SPACING TABLE AND MOUNTING HEIGHT

CLASSIFICATION	2.1m	2.4m	2.7m	3m	3.3m	3.6m	4m	5m
<b>E2</b>	5.2	5.2	5.4	5.2	5.0	4.8	4.6	-