



E&E LIGHTING
AUSTRALIA

EXLED

3w LED All-in-One Easy Exit

PRODUCT CODE: EXLED



FEATURES

- Complete with Double-Sided Decal
- High Powered Long Life LED
- High Temperature NiCad Batteries
- Viewing Distance 24M
- Suitable for wall or ceiling mount



Easy to Install with
Large Terminal Block



Fully compliant with
AS/NZ 2293

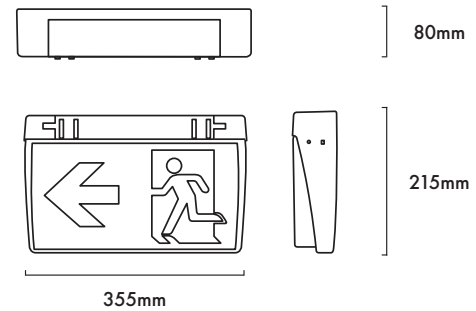


Suspend using a
chain or rod.



Suitable for wall
or ceiling mount

3W LED ALL-IN-ONE EASY EXIT CODE: EXLED



TECHNICAL SPECIFICATIONS

Product Code	EXLED
Description	3W LED All-in-One Easy Exit with Double-Sided Decal
Construction	ABS Body and Diffuser Polycarbonate Clear Temper Proof Cover
Mounting	Wall or Ceiling Surface Mount
Dimension L x W x H	355mm x 80mm x 215mm
Operating Mode	Maintained
Testing System	Manual Test Switch
Charging Time	16 Hours
Viewing Distance	24 Metres
Lens	10 x LED Lamp 50,000 Hours
Operating Voltage	220-260Vac; 50Hz
Power Factor	>0.95
Power Consumption	3W
IP Rating	IP 20
Operating Temperature	1° - 45 °C
Battery	High Temperature NiCd
Weight	Approximately 1.2Kg
Performance	AS/NZ 2293-2005
Classification	C0 E2 C90 E2

REPLACEMENT PARTS

PART NUMBER	DESCRIPTION
BLED	Battery, NiCd, 4.8V 800mAh

SPACING TABLE AND MOUNTING HEIGHT

CLASSIFICATION	2.1m	2.4m	2.7m	3m	3.3m	3.6m	4m	5m
E2	5.2	5.2	5.4	5.2	5.0	4.8	4.6	-