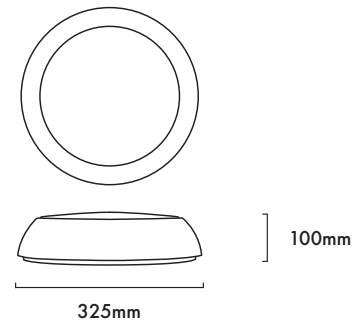
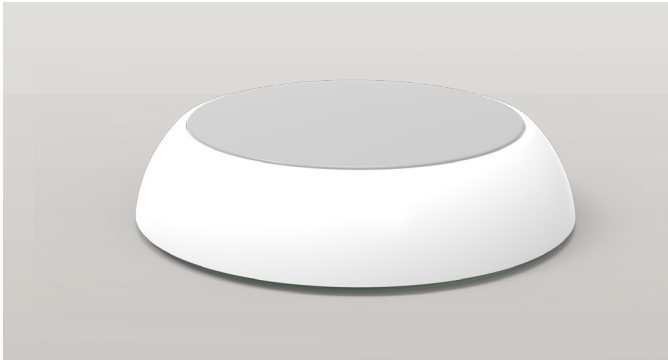


20W LED EMERGENCY OYSTER
CODE: EMOYSTERL



TECHNICAL SPECIFICATIONS

| | | |
|------------------------------|--------------------------|--|
| Product Code | EMOYSTERL | EMOYSTERLS (Emergency with Microwave Sensor) |
| Description | 20W LED Emergency Oyster | |
| Mounting | Surface Mounted | |
| Dimension L x W x H | 325mm x 100mm | |
| Operating Mode | Switch Maintained | |
| Testing System | Manual Test Switch | |
| Charging Time | 16 Hours | |
| Operating Voltage | 220-260Vac; 50Hz | |
| Power Factor | >0.90 | |
| Power Consumption | 20W on 240V | |
| IP Rating | IP 54 | |
| Operating Temperature | 1° - 45° C | |
| Classification | C0=D32 C90=D32 | |
| Lumens Output | 2200lm | |
| Colour Temperature | 4000K | |
| PC Cover | Opal | |
| Beam Angle | 110 Degrees | |

Replacement Parts

| PART NUMBER | DESCRIPTION |
|-----------------|-----------------------------------|
| BOYSTERL | Battery, LiFe PO4 Lithium Battery |

SPACING TABLE AND MOUNTING HEIGHT

| Classification | 2.1m | 2.4m | 2.7m | 3m | 3.3m | 3.6m | 4m | 5m |
|----------------|------|------|------|------|------|------|------|------|
| C0 D40 | 16.7 | 17.4 | 18.0 | 18.6 | 19.0 | 19.6 | 20.1 | 21.3 |
| C90 D40 | 16.7 | 17.4 | 18.0 | 18.6 | 19.0 | 19.6 | 20.1 | 21.3 |