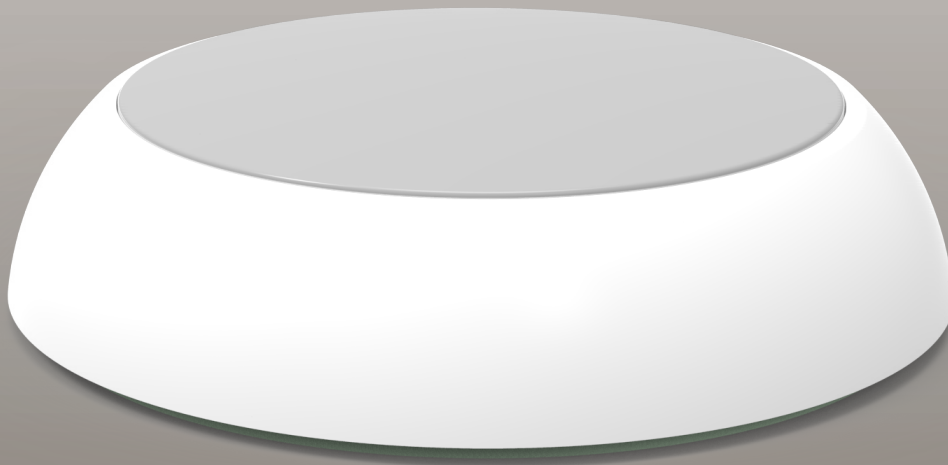




EMOYSTERL

20w LED Emergency Oyster
PRODUCT CODE: EMOYSTERL



FEATURES

- Suitable for stairwells and apartments
- Optional built-in microwave sensor
- High temperature LiFePO4 battery
- Flex and plug optional



Easy installation
with large terminal
block

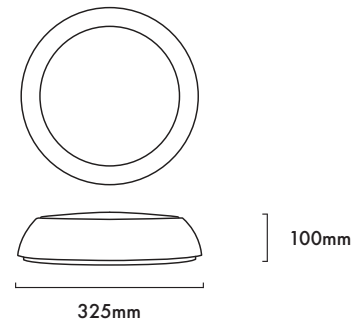
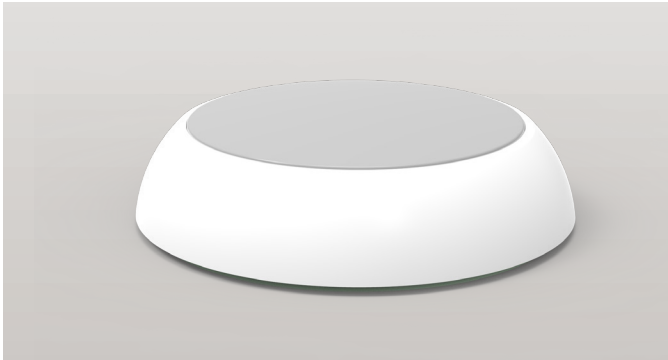


Fully compliant
with AS/NZ 2293



High Light
Output with
Low-Glare

20W LED EMERGENCY OYSTER
CODE: EMOYSTERL



TECHNICAL SPECIFICATIONS

Product Code	EMOYSTERL	EMOYSTERLS (Emergency with Microwave Sensor)
Description	20W LED Emergency Oyster	
Mounting	Surface Mounted	
Dimension L x W x H	325mm x 100mm	
Operating Mode	Switch Maintained	
Testing System	Manual Test Switch	
Charging Time	16 Hours	
Operating Voltage	220-260Vac; 50Hz	
Power Factor	>0.90	
Power Consumption	20W on 240V	
IP Rating	IP 54	
Operating Temperature	1° - 45° C	
Classification	C0=D40 C90=D40	
Lumens Output	2200lm	
Colour Temperature	4000K	
PC Cover	Opal	
Beam Angle	110 Degrees	

Replacement Parts

PART NUMBER	DESCRIPTION
BOYSTERL	Battery, LiFe PO4 Lithium Battery

SPACING TABLE AND MOUNTING HEIGHT

Classification	2.1m	2.4m	2.7m	3m	3.3m	3.6m	4m	5m
C0 D40	16.7	17.4	18.0	18.6	19.0	19.6	20.1	21.3
C90 D40	16.7	17.4	18.0	18.6	19.0	19.6	20.1	21.3