



EMLITESM

2w LED Surface Mount Emergency Luminaire
PRODUCT CODE: EMLITESM



FEATURES

- User friendly/installation
- Wall or Ceiling Mount
- High temperature NiCad batteries



High Powered
Long Life LED

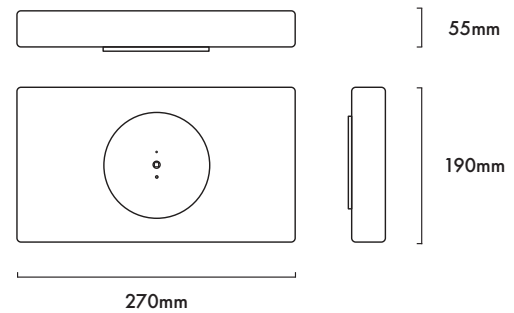


Fully compliant
with AS/NZ 2293



Suspend using
a chain or rod

LED RECESSED EMERGENCY LUMINAIRE
CODE: EMLITESM



TECHNICAL SPECIFICATIONS

Product Code	EMLITESM
Description	2W LED Surface Mount Emergency Luminaire
Mounting	Surface Mounted
Dimension L x W x H	270mm x 190mm x 55 mm
Colour Temperature	5000 K
Operating Mode	Non-Maintained
Testing System	Manual Test Switch
Charging Time	16 Hours
Lens	2W LED Lamp Rated 50,000 Hours
Operating Voltage	220-260Vac; 50Hz
Power Factor	>0.95
Power Consumption	2W
IP Rating	IP20
Operating Temperature	1° - 45° C
Classification	C0=D40 C90=D40
Materials	Powder coated Metal Box
Performance	AS/NZ 2293-2005

REPLACEMENT PARTS

PART NUMBER	Description
EMLITESM	Battery, NiCd 4.8V 1800mAh

SPACING TABLE AND MOUNTING HEIGHT

CLASSIFICATION	2.1m	2.4m	2.7m	3m	3.3m	3.6m	4m	5m
C0 D40	16.7	17.4	18.0	18.6	19.1	19.6	20.1	21.3
C90 D40	16.7	17.4	18.0	18.6	19.1	19.6	20.1	21.3