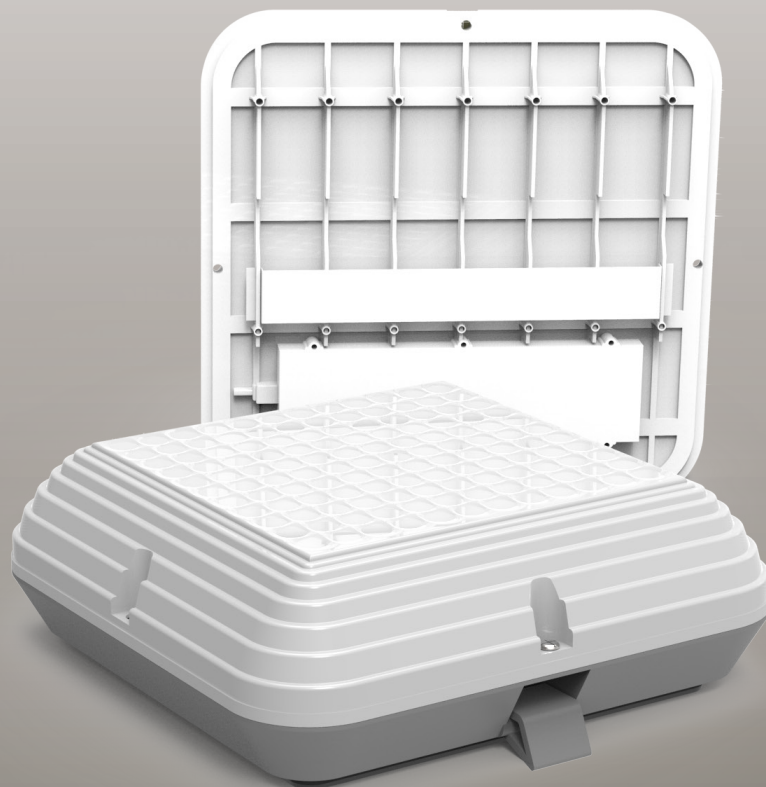




EMBUNKERWPL

20w LED Emergency Weatherproof Bunker
PRODUCT CODE: EMBUNKERWPL



FEATURES

- Sturdy weatherproof bunker fitting
- Suitable for harsh environments
- High temperature LiFePO4 battery
- Optional built-in microwave sensor
- Optional flex and plug



Easy installation with
large terminal block

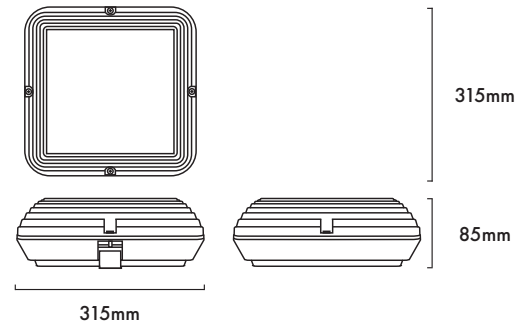


Fully compliant with
AS/NZ 2293



High light output
with low-glare
distribution

20W LED EMERGENCY WEATHERPROOF BUNKER CODE: EMBUNKERWPL



TECHNICAL SPECIFICATIONS

Product Code	EMBUNKERWPL	EMBUNKERWPLS (Emergency with Microwave Sensor)
Description	20W LED Emergency Weatherproof Bunker	
Mounting	Wall or Ceiling Surface Mounted	
Dimension L x W x H	315mm x 315mm x 85mm	
Operating Mode	Switch Maintained	
Testing System	Manual Test Switch	
Charging Time	16 Hours	
Operating Voltage	220-260Vac; 50Hz	
Power Factor	>0.95	
Power Consumption	20W on 240V	
IP Rating	IP 65	
Operating Temperature	1° - 45° C	
Classification	C0=D50 C90=D50	
Lumens Output	2200lm	
Colour Temperature	4000K	
PC Cover	Milky	
Beam Angle	140 Degrees	
Construction	Die-cast Alluminum Body and Polycarbonate Diffuser	

REPLACEMENT PARTS

PART NUMBER	DESCRIPTION
BBUNKERWP	Battery, LiFePO4 12V 2500mAh

SPACING TABLE AND MOUNTING HEIGHT

Classification	2.1m	2.4m	2.7m	3m	3.3m	3.6m	4m	5m
C0 D50	18.0	18.7	19.4	20.1	20.6	21.2	21.8	23.2
C90 D50	18.0	18.7	19.4	20.1	20.6	21.2	21.8	23.2